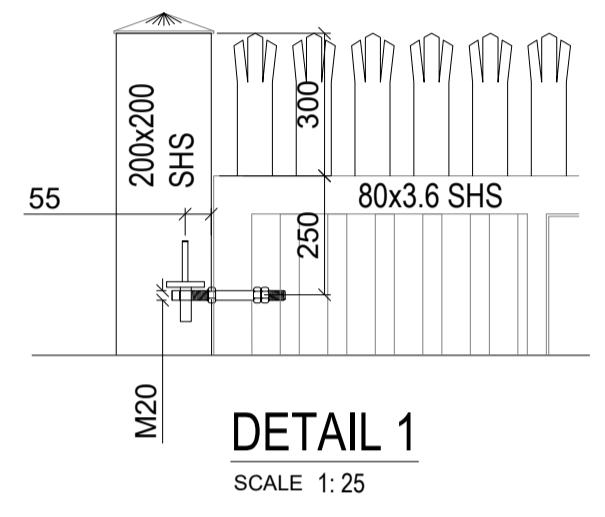


PLAN ON GATES
SCALE 1:25

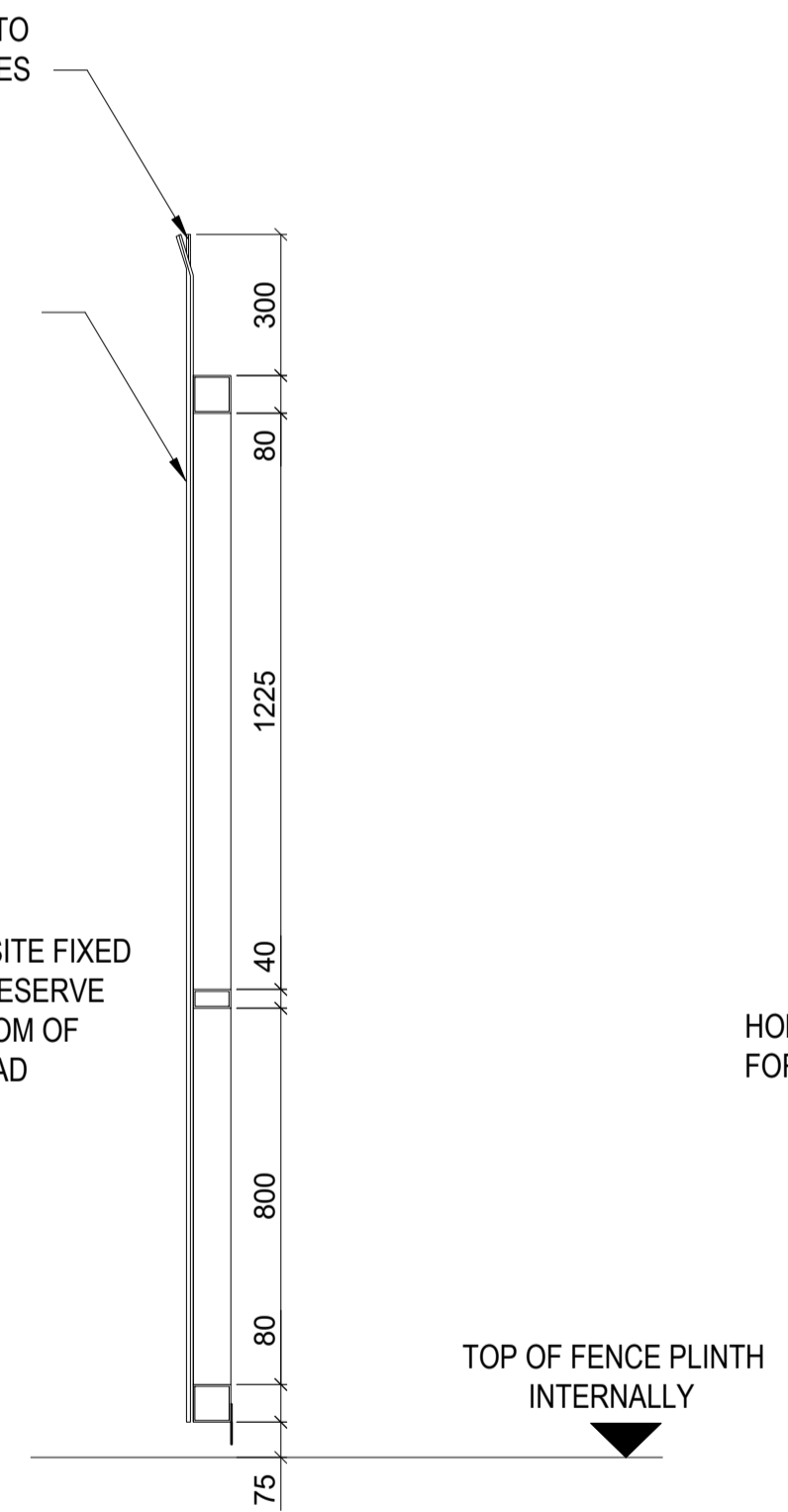


DETAIL 1
SCALE 1:25

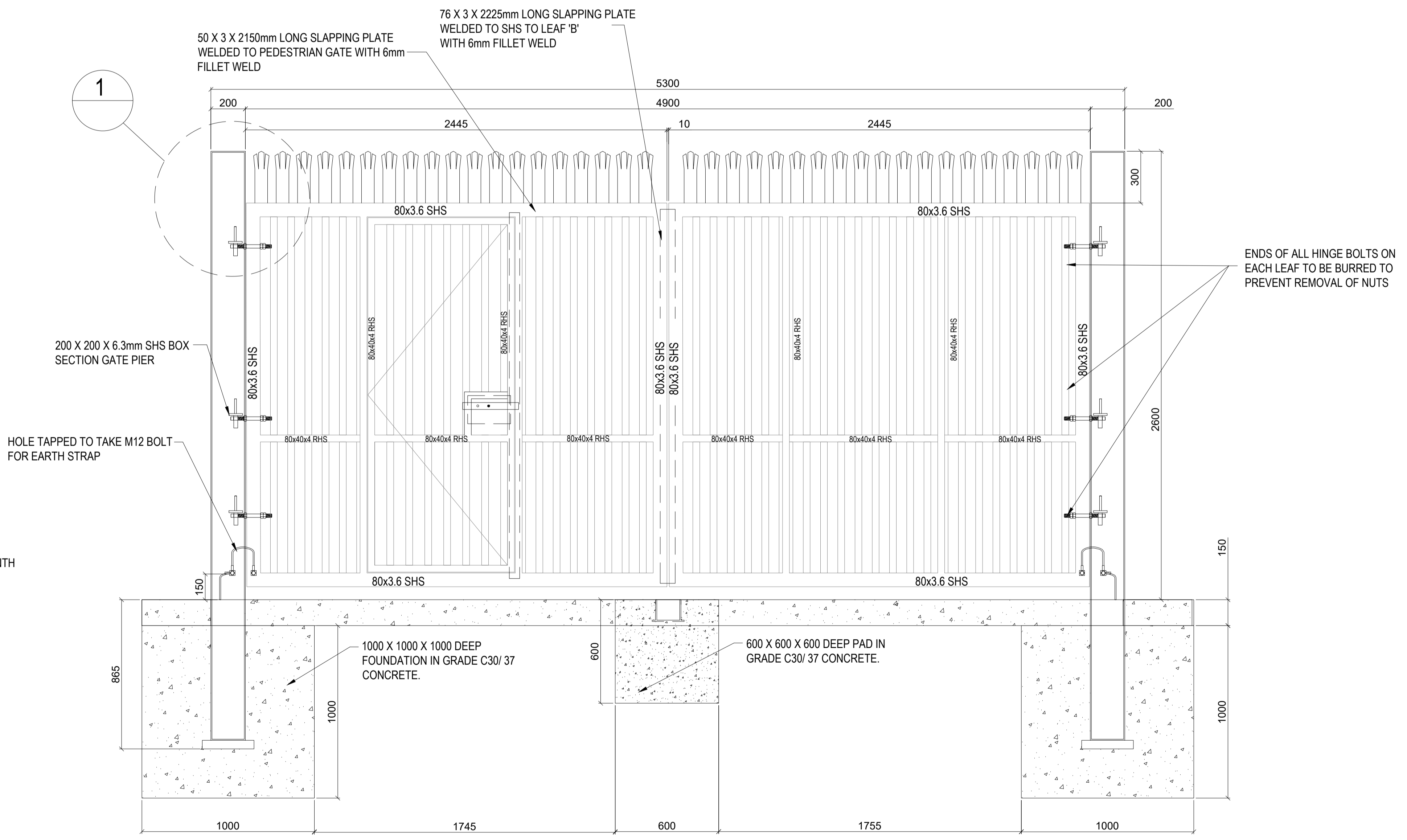
TOP OF PANELS TO GATES TO BE LEVEL WITH TOP OF PALES TO FENCE

3.5 mm PALES SPACED TO MATCH FENCE WELDED TO GATE FRAME

3 X 100mm SLAPPER PIECE SITE FIXED TO BOTTOM OF GATE TO PRESERVE 75mm CLEARANCE TO BOTTOM OF GATES AND CAMBER TO ROAD



SECTION A-A
SCALE 1:25



ELEVATION TO INSIDE OF GATES
SCALE 1:25

- Notes :**
1. All drawings are to be read in conjunction with all relevant Specifications, Bills of Quantities, Architectural, Services and Engineering drawings.
 2. Any discrepancies between these documents shall be brought to the attention of the Engineer.
 3. All dimensions are in millimetres, unless noted otherwise.
 4. All levels are in metres related to Ordnance Datum.
 5. Drawings are not to be scaled.

REV	DATE	DESCRIPTION	BY	APP
P05	03/10/24	ISSUED FOR APPROVAL	AK	PC
P04	28/05/24	ISSUED FOR APPROVAL	AK	PC
P03	22/05/24	ISSUED FOR PLANNING	AK	PC
P02	01/05/24	ISSUED FOR PLANNING	AK	PC
P01	20/09/23	ISSUED FOR PLANNING	AK	PC

PROJECT: DERNACART WIND FARM 110KV SUBSTATION AND GRID CONNECTION

TITLE: EIRGRID COMPOUND ENTRANCE GATE DETAILS

CLIENT: STATKRAFT IRELAND



DRAWN:	CHECKED:	APPROVED:
A.K.	G. McN.	P.C.
PROJECT NUMBER:	DATE:	SCALE @ A1:
23268	SEPT. '23	AS SHOWN
STATUS DESCRIPTION:	STATUS:	
FOR APPROVAL	S4	
DRAWING NUMBER:	REV:	
23268 - MWP -SS-XX-DR-C-5408	P05	